

## UV 412 AL Technical Data

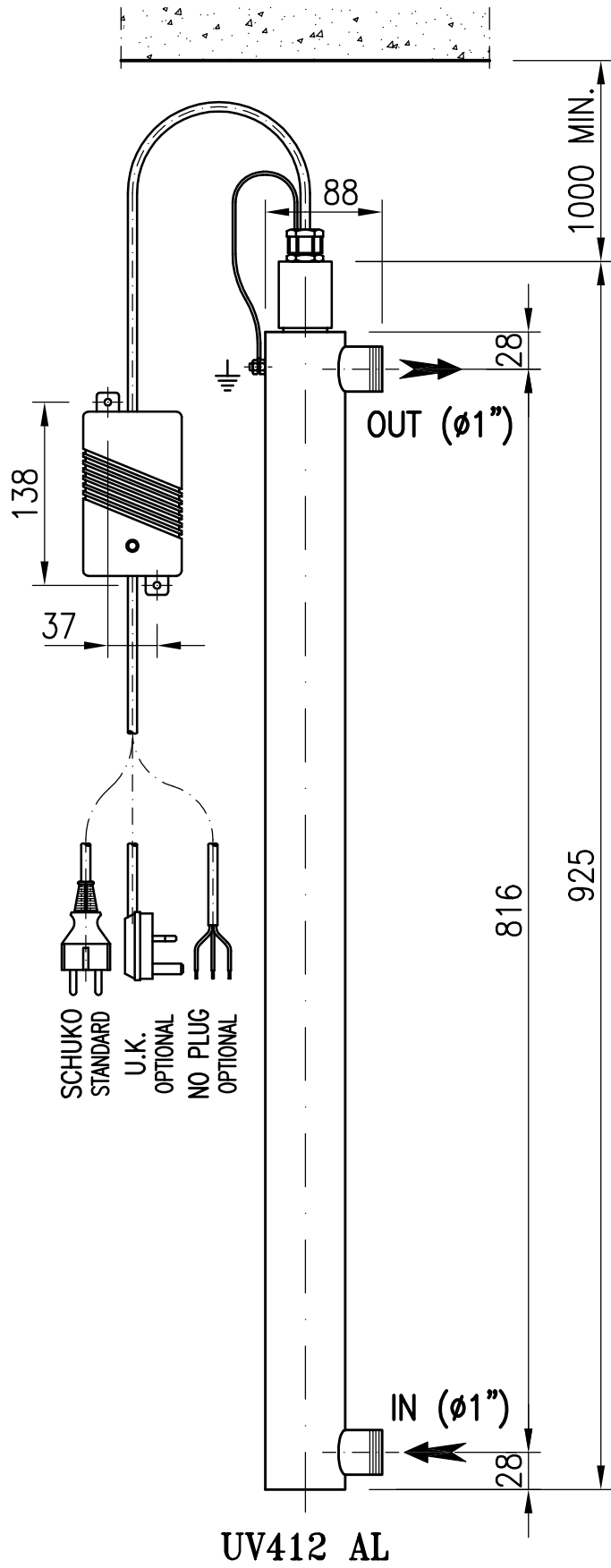
<b>GENERAL INFORMATION</b>	
Max flow rate	45 l/m
UVC transmittance	99%- 1 cm
UVC dose	300 J/m <sup>2</sup>
Water Temperature range	5-50°C
Total consumption	44 W
Mounting	Vertical or horizontal

<b>UV REACTOR</b>	
Material	Stainless Steel 304 (optional 316L)
Connections	Thread 1" M
Total Volume	1,8 l
Total weight	2.5 kg
Max working pressure	10 bars g
Protection class	IP 55
Shape	U
Flow direction	From bottom to top

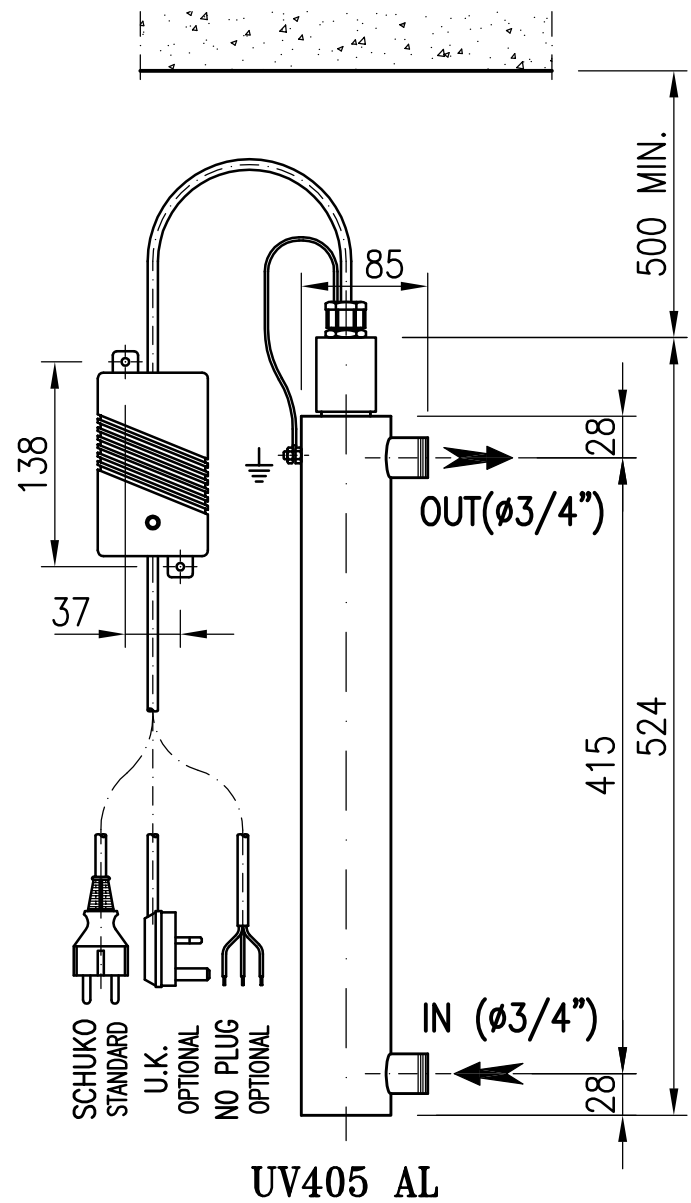
<b>UV LAMP</b>	
Number	1
Lifespan	9000 hr
Lamp power	40 W
Type	Low pressure type 028104

<b>CONTROL PANEL</b>	
	<b>AL</b>
Material	Thermoplastic
Dimensions	118 x 60 x 64 mm
Protection class	IP 54
Ambient temperature range	5 – 45 °C
Power supply	230 V - 50/60 Hz
Lamp cable length	1 m
Power supply cable	1 m
Feed plug	SCHUKO (Standard), UK, No plug

Rev. 02-2015



**UV412 AL**



**UV405 AL**

**NOTA:**

– LE DIMENSIONI DI INGOMBRO INDICATE SONO SUSCETTIBILI DI MINIME VARIAZIONI DOVUTE ALLE TOLLERANZE COSTRUTTIVE E DI ASSEMBLAGGIO DEI COMPONENTI MECCANICI IMPIEGATI


**NOTE:**

– THESE OVERALL DIMENSIONS CAN CHANGE A LITTLE BECAUSE OF THE CONSTRUCTIVE TOLERANCES AND THE ASSEMBLING OF MECHANICAL COMPONENTS YOU USED.

**NOTE:**

– CES TOTALES DIMENSIONS PEUVENT SUBIR DES MOINDRES MODIFICATIONS POUR LES CONSTRUCTIVES TOLERANCES ET L' ASSEMBLAGE DES MECANIKES ELEMENTS UTILISES.

NOME FILE: UV412AL.DWG

A		PRIMA EMISSIONE	16/02/15	SCHENONE	MAZZONE
REVISIONE	DESCRIZIONE		DATA	DISEGNATO	APPROVATO
 S.r.l. Società Italiana Trattamento Acque Via Rivarolo, 61 - 16161 Genova Italy - Tel. 0039-10-7406848 / Fax 0039-10-7406851 email info@sitauv.com			TITOLO <b>DISINFEZIONE UV-C          MODELLI UV 405 &amp; 412 AL          ASSIEME GENERALE</b>		CODICE / F.to A4 Scala / Foglio 01 di 01
CLIENTE			/		