

SINGLE CARTRIDGE ROUND - LARGE DIAMETER

With the highest flow rate capacity in the plastic filter housing range, the large diameter housings compete with comparable multi-round stainless steel housings at a fraction of the cost.



FEATURES & BENEFITS



- High flow rate capacity
- Clear or black sumps available
- Equipped with 1" ports and pressure release button

TECHNICAL DATA



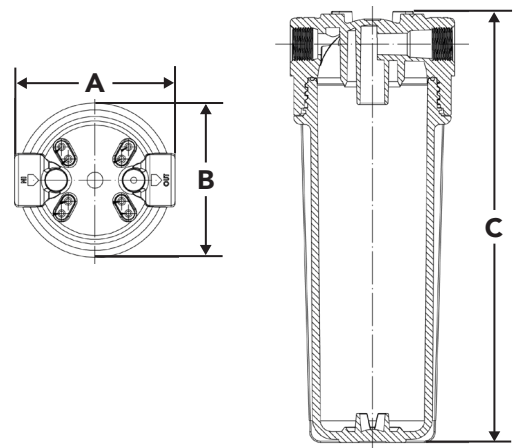
Port Sizes (BSP")	1
Cartridge Compatibility (")	9 ³ / ₄ , 10, 20
End-Cap Compatibility	DOE, AA
Pressure Rating (bar)	6.9
Temperature Rating (°C)	4-40

MATERIALS OF CONSTRUCTION



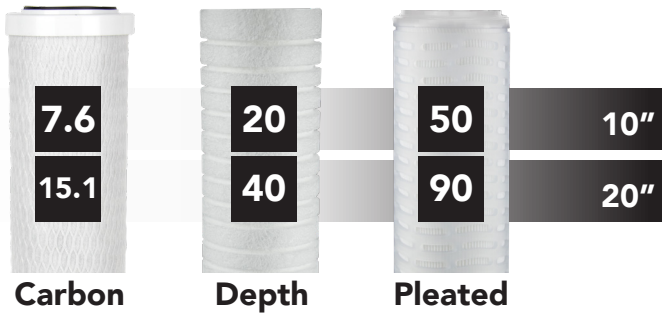
O-ring:	Buna-N
Head:	Glass Filled Polypropylene
PRV:	Polypropylene
Spring:	304 Stainless Steel
Sump-Black:	PK=Polypropylene
Sump-Clear:	SC=Styrene Acrylonitrile

DIMENSIONS

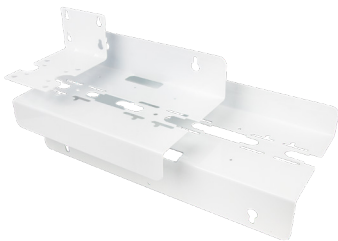


Dimensions (mm)			
Housing	A	B	C
EFH-10"LD	183	182	347
EFH-20"LD	183	182	610

FLOW RATE



ACCESSORIES



**Brackets
EFH-BK**

Brackets come in single, double and triple complete with wall and head mounting screws. Made from galvanized steel and coated with a white powdered finish, which prolongs the brackets life.



**Spanners
EFH-SWLD**

These spanners have been specifically designed to not damage the sump, which makes them invaluable for cartridge change out.



**Connectors
1" only**

To join multiple housings together or connect inlet and outlet ports to pipework, a selection of suitable fittings are available.

ORDERING GUIDE



Plastic Filter Housing

Code	Description	Spanner	Brackets		
			Single	Double	Triple
EFH-PK-1-10LD-1	10" Economic LD Filter Housing PRV - 1" ports	EFH-SWLD	EFH-BK-LD1	EFH-BK-LD2	EFH-BK-LD3
EFH-SC-1-10LD-1	10" Economic LD Filter Housing PRV - 1" ports				
EFH-PK-1-20LD-1	20" Economic LD Filter Housing PRV - 1" ports				
EFH-SC-1-20LD-1	20" Economic LD Filter Housing PRV - 1" ports				

Accessories

Code	Description
EFH-MCF-1-25MM	SPECTRUM EFH 1" Male thread to 25mm Compression Fit