

Injector Data Sheet
 0878 02 PP, 0878 02 PVDF, & 0878 02 N-PVDF

CONSTRUCTION

Available Material	Polypropylene (PP) - BLACK	Polyvinylidene Fluoride (PVDF) - BLACK & NATURAL
Unit Weight (with box)	0.36 lbs	0.53 lbs
Inlet & Outlet Connections	1" male NPT	
Suction Port Cap Connection - Default (Inner Diameter)	0.5" tubing barbs	
Suction Port Cap Connection - Alternate	0.5" male NPT	
Maximum Operating Temperature	212°F	
Maximum Operating Pressure (at 68° F)	120 PSI	

ACCESSORIES

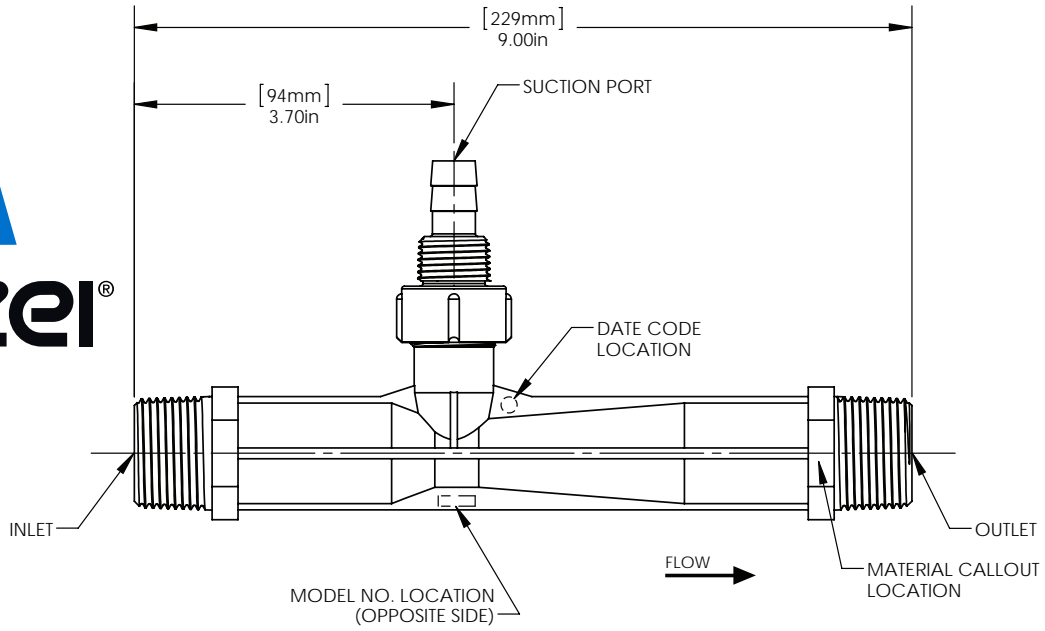
PART NUMBER	DESCRIPTION
K-183	Suction line kit
KR-183	Economy suction line kit
K181-A 02	Bypass kit (includes suction line kit K-183)
MV-50	PP and Teflon™ metering valve with Viton™ O-ring seals (0.5" female NPT connections)
MV5-PP	PP metering valve with custom "V Port" seat control (0.5" male NPT connections)
MV5-N-PVDF	Natural PVDF metering valve with custom "V Port" seat control (0.5" male NPT connections)
S-50HB	Strainer (0.5" barbed connection)
S-84	Strainer without tubing adapter (0.5" female NPT connection)

REPLACEMENT PARTS

INJECTOR MODEL	SUCTION PORT CAP	CHECK VALVE REPAIR KIT
0878 02 PP BLACK	CAP .75 PP	CR-4
0878 02 PVDF BLACK	CAP .75 PVDF	CR-4
0878 02 N-PVDF NATURAL	CAP.75 N-PVDF	CR-4



Model 0878



Injector Data Sheet
 ISO GRPP 0878-3 & ISO 0878 2PVDF

CONSTRUCTION

Available Material	Polypropylene (PP) - GREEN	Polyvinylidene Fluoride (PVDF) - BLUE
Unit Weight (with box)	0.15 kg	0.24 kg
Inlet & Outlet Connections	25 mm male BSPT	
Suction Port Cap Connection - Default (Inner Diameter)	0.5" tubing barbs	
Suction Port Cap Connection - Alternate	0.5" male NPT	
Maximum Operating Temperature	100° C	
Maximum Operating Pressure (at 20° C)	8.44 bar	

ACCESSORIES

PART NUMBER	DESCRIPTION
MV-50	PP and Teflon™ metering valve with Viton™ O-ring seals (0.5" female NPT connections)
MV5-PP	PP metering valve with custom "V Port" seat control (0.5" male NPT connections)
MV5-N-PVDF	Natural PVDF metering valve with custom "V Port" seat control (0.5" male NPT connections)
S-50HB	Strainer (0.5" barbed connection)
S-84	Strainer without tubing adapter (0.5" female NPT connection)

REPLACEMENT PARTS

INJECTOR MODEL	SUCTION PORT CAP	CHECK VALVE REPAIR KIT
ISO GRPP 0878-3 GREEN	ISO CAP .75 GRPP	CR-4
ISO 0878 2PVDF BLUE	N/A	CR-4

Model 0878