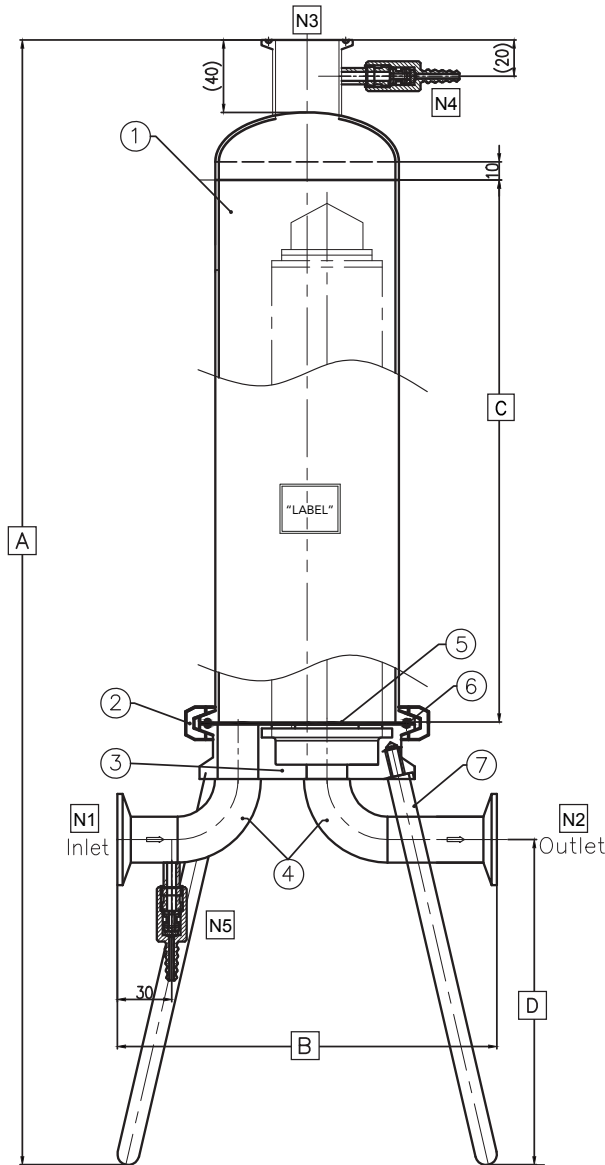
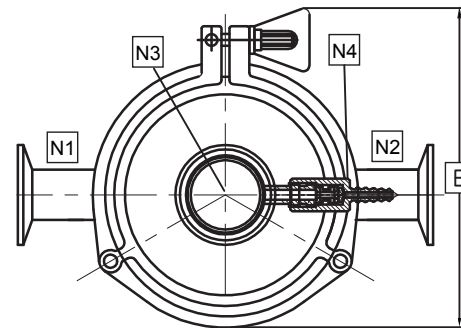


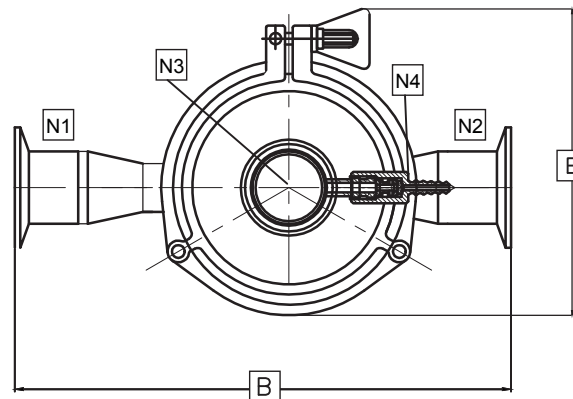
# PREMIER SANITARY HOUSING PFSH - 1 ROUND - 1/1½" PORTS



Top view with 1" Ports



Top view with 1½" Ports



Overall Dimensions						
Part Number	To Accommodate Filter Qty x Length	A mm	B mm	C mm	D mm	E mm
PSFH-SEP-1-10-1	1 x 10"	623	210	300	180	161
PSFH-SEP-1-20-1	1 x 20"	873	210	550	180	161
PSFH-SEP-1-30-1	1 x 30"	1123	210	800	180	161
PSFH-SEP-1-30-1.5	1 x 30"	1123	288	800	180	161

Port Details					
No.	Type	Size	No.	Type	Size
N1	Inlet	1" / 1½" * Tri-Clamp	N4	Vent	¼" Petcock
N2	Outlet	1" / 1½" * Tri-Clamp	N5	Drain	¼" Petcock
N3	Gauge Port	1½" Tri-Clamp	N6		

1½" option on 30" only

Components					
No.	Name	Material	No.	Name	Material
1	Housing Body	316L	5	226 Cartridge Locator Plate	316L
2	Tri-Clamp	304	6	O-Ring	EPDM
3	Housing Base	316L	7	Legs-screw in (x3)	304
4	Inlet/Outlet pipe	316L	Not Shown	Glycerine Filled Diaphragm Gauge, 11 bar, 1.5" Tri-Clover	316L

### Technical Information

- Pressure relief device should be installed on the outer piping by the customer to assure that pressure in the vessel can not exceed the design pressure indicated.
- Vent and Drain ports can be opened/closed using the petcock valves
- All dimensions are approximate in mm.

<b>Design Temperature</b>	<b>150°C</b>
<b>Maximum Operating Temperature</b>	<b>120°C</b>
<b>Design Pressure</b>	<b>8 bar</b>
<b>Hydrostatic Test Pressure</b>	<b>10 bar</b>