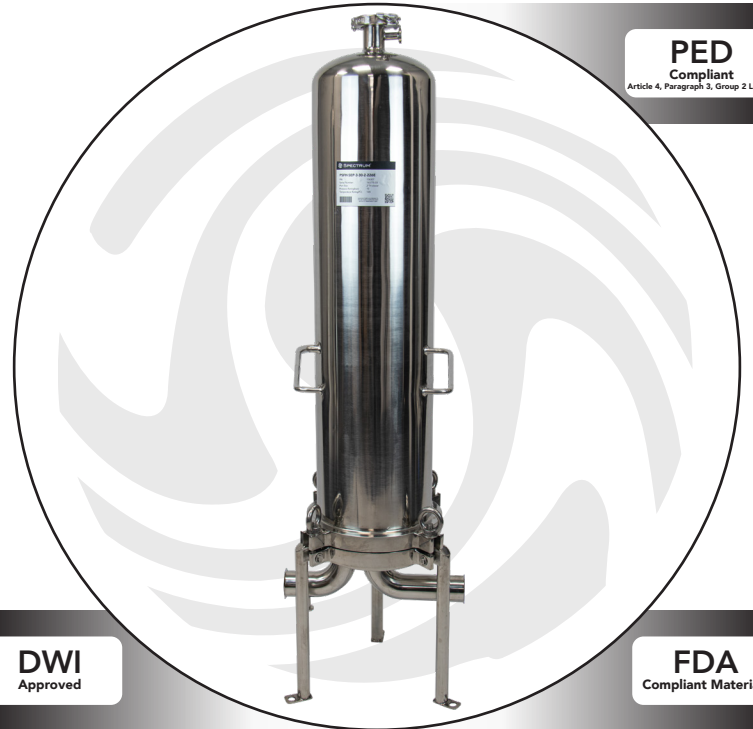


**SANITARY - UP TO 180 LPM**

One of the most popular sizes of sanitary housing throughout the Beverage industry, the 3 round configuration boasts a flow rate capacity up to 180 litre per minute. With the swing bolt and eye nut closure mechanism, tool-free cartridge change out reduces system downtime and operator labour. The 2" inlet and outlet ports provide compatibility with housing accessories such as the sanitary sight glass for visual filtrate validation.



**PED**  
Compliant  
Article 4, Paragraph 3, Group 2 Liquids

**DWI**  
Approved

**FDA**  
Compliant Materials

**FEATURES & BENEFITS**



- 0.3µm Ra internal surface finish
- Tri-clamp ports for industry compatibility
- Diaphragmed pressure gauge included for filter monitoring
- Vent / test port for pressure release and integrity testing
- Accepts 226 end-cap for added security

**TECHNICAL DATA**



<b>Port Sizes (")</b>	2 Tri-Clamp
<b>Cartridge Compatibility (")</b>	30
<b>End-Cap Compatibility</b>	226
<b>Pressure Rating* (bar)</b>	12.5
<b>Temperature Rating (°C)</b>	150

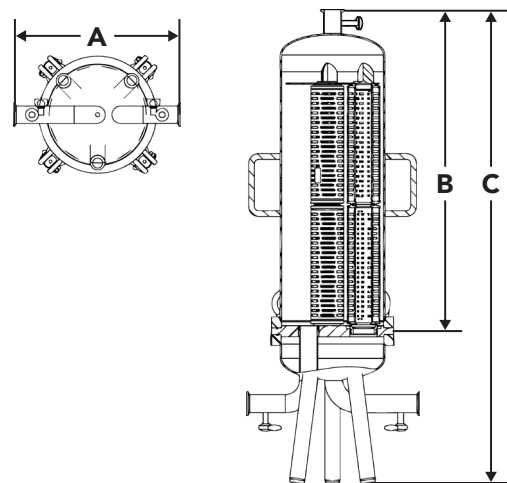
\*Hydrostatic pressure rating.

**MATERIALS OF CONSTRUCTION**



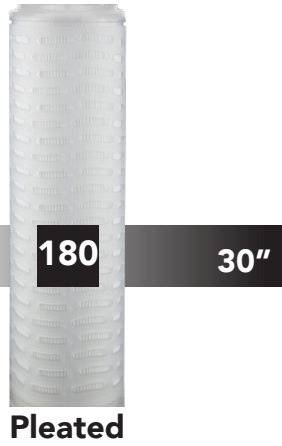
- Body & Base: 316L Stainless Steel
- Internal Surface Finish: ≤0.3µm Ra
- External Surface Finish: ≤0.4µm Ra
- Housing Seal: EPDM
- Clamp & Legs: 304 Stainless Steel

**DIMENSIONS**



Dimensions (mm)			
Housing	A	B	C
<b>PSFH-SEP-3-30</b>	360	930	1250

FLOW RATE 



ORDERING GUIDE 

Code	Description
PSFH-SEP-3-30-2-226E	SPECTRUM Sanitary Filter Housing 3 X 30 226 End-Cap 2" Tri-Clamp EPDM Seal

PRODUCT RANGE 

The below products have often been associated with this product.



**1 Round**

Flow up to 60 lpm



**3 Round**

Flow up to 180 lpm



**5 Round**

Flow up to 400 lpm



**7 Round**

Flow up to 560 lpm